

10/027397

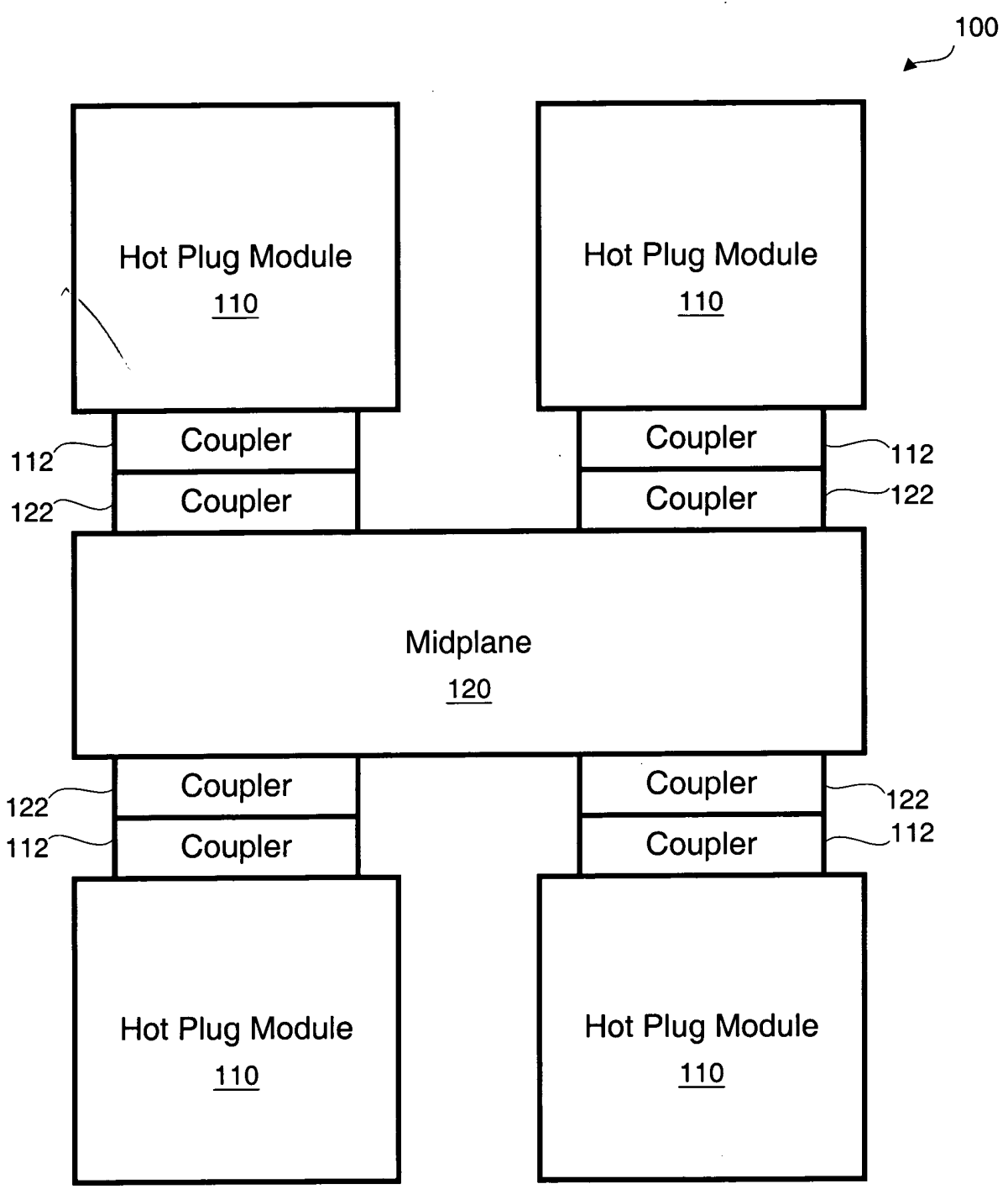


FIG. 1

FIG. 1

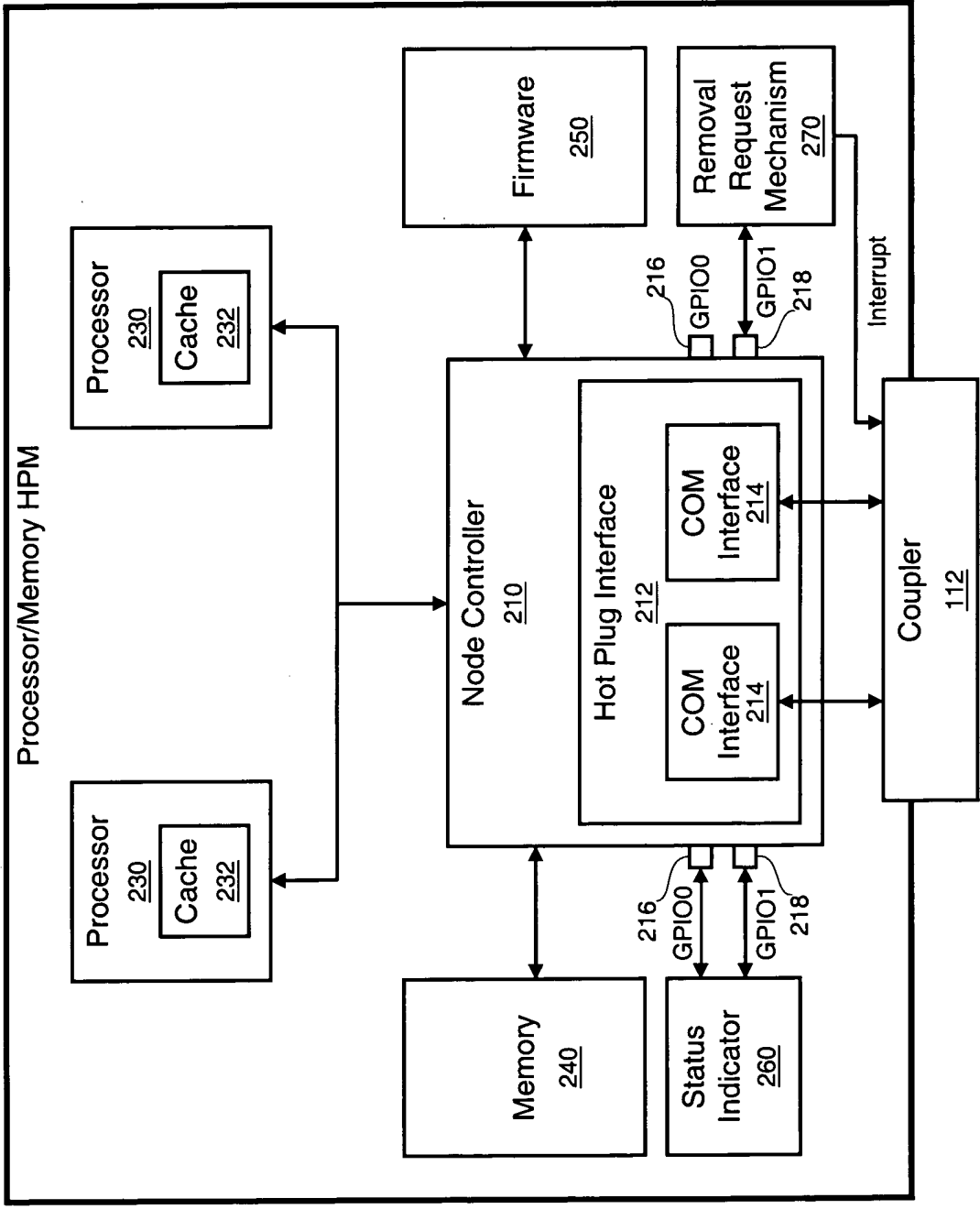


FIG. 2

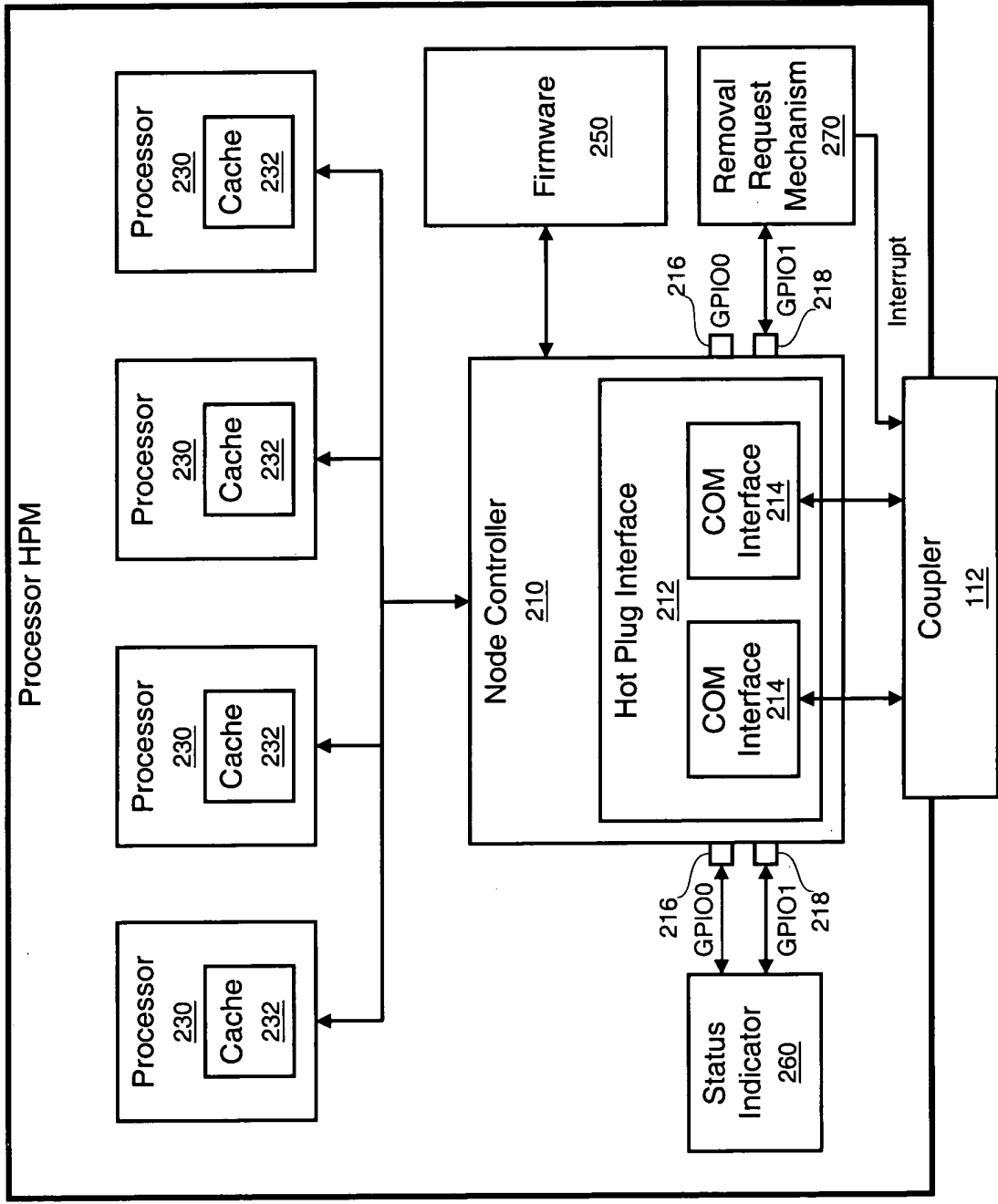


FIG. 3

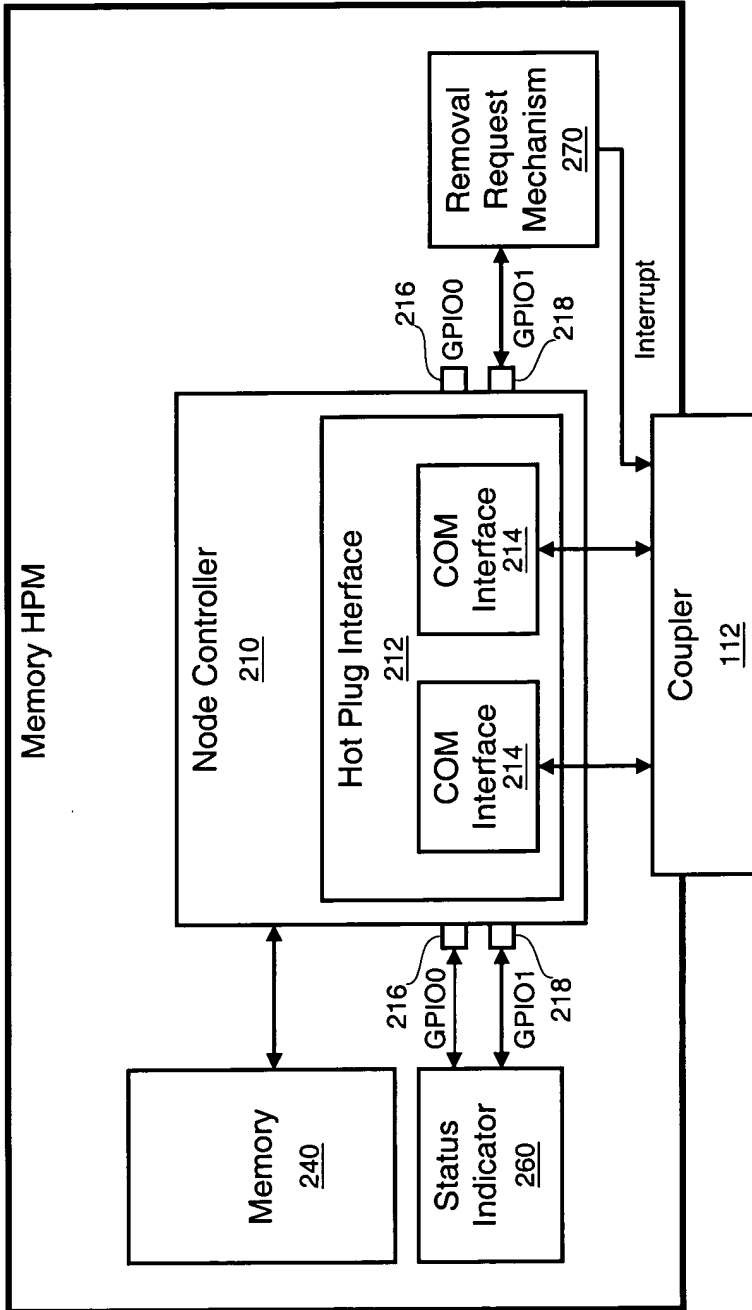


FIG. 4

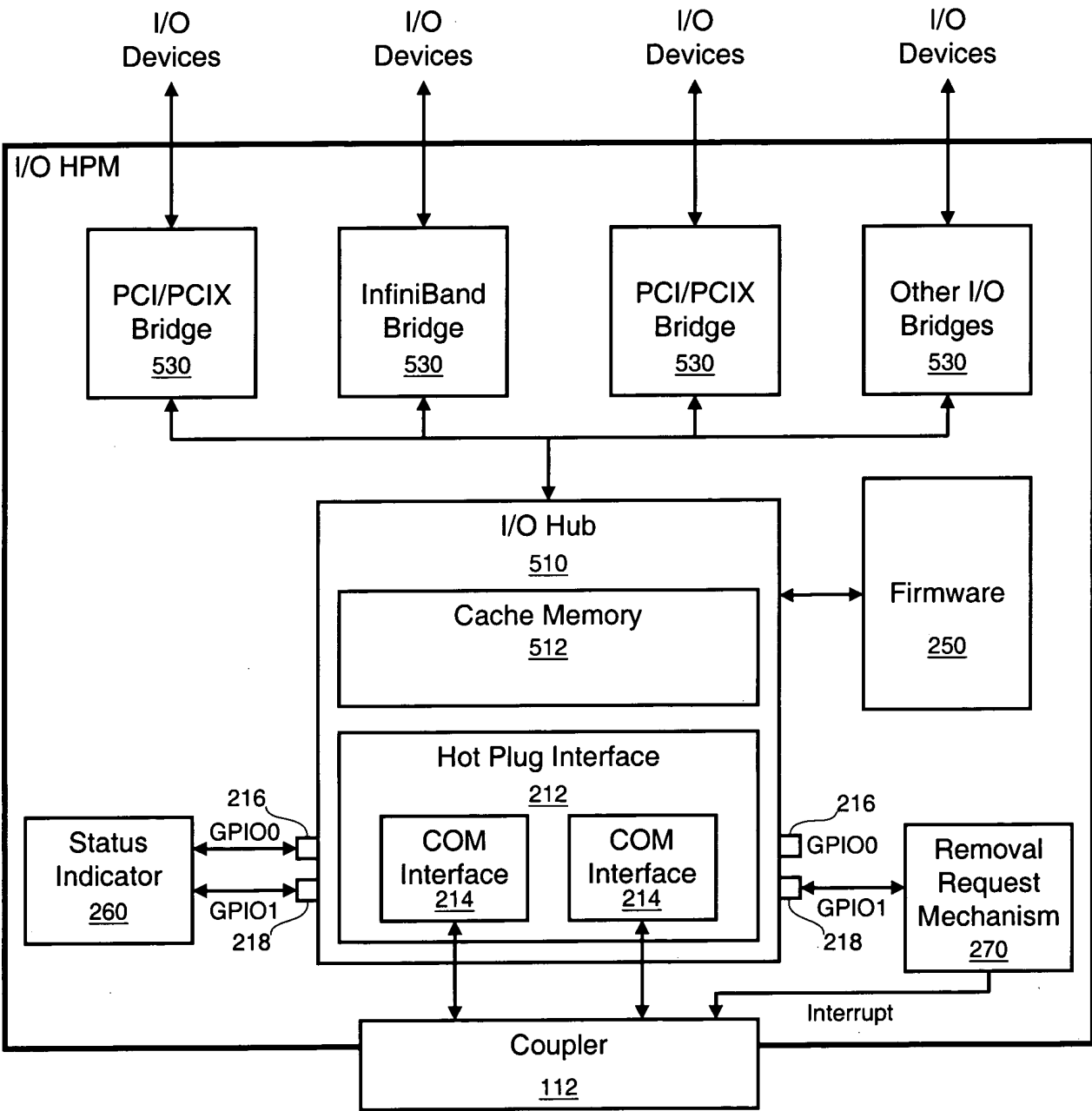


FIG. 5

Copyright © 2004 Intel Corporation. All rights reserved. Intel, the Intel logo, and the Intel Inside logo are trademarks of Intel Corporation or its subsidiaries in the United States and other countries.

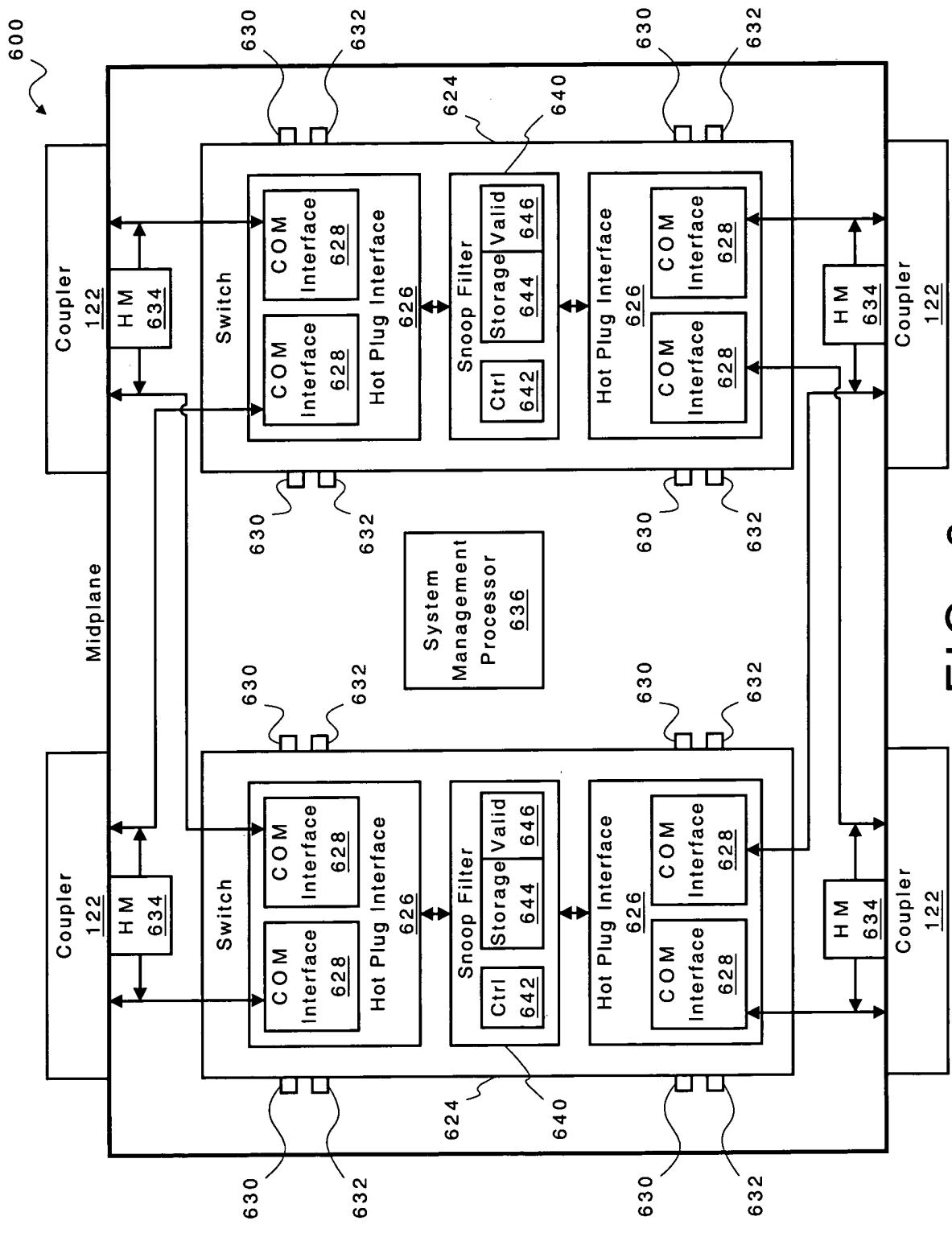


FIG. 6

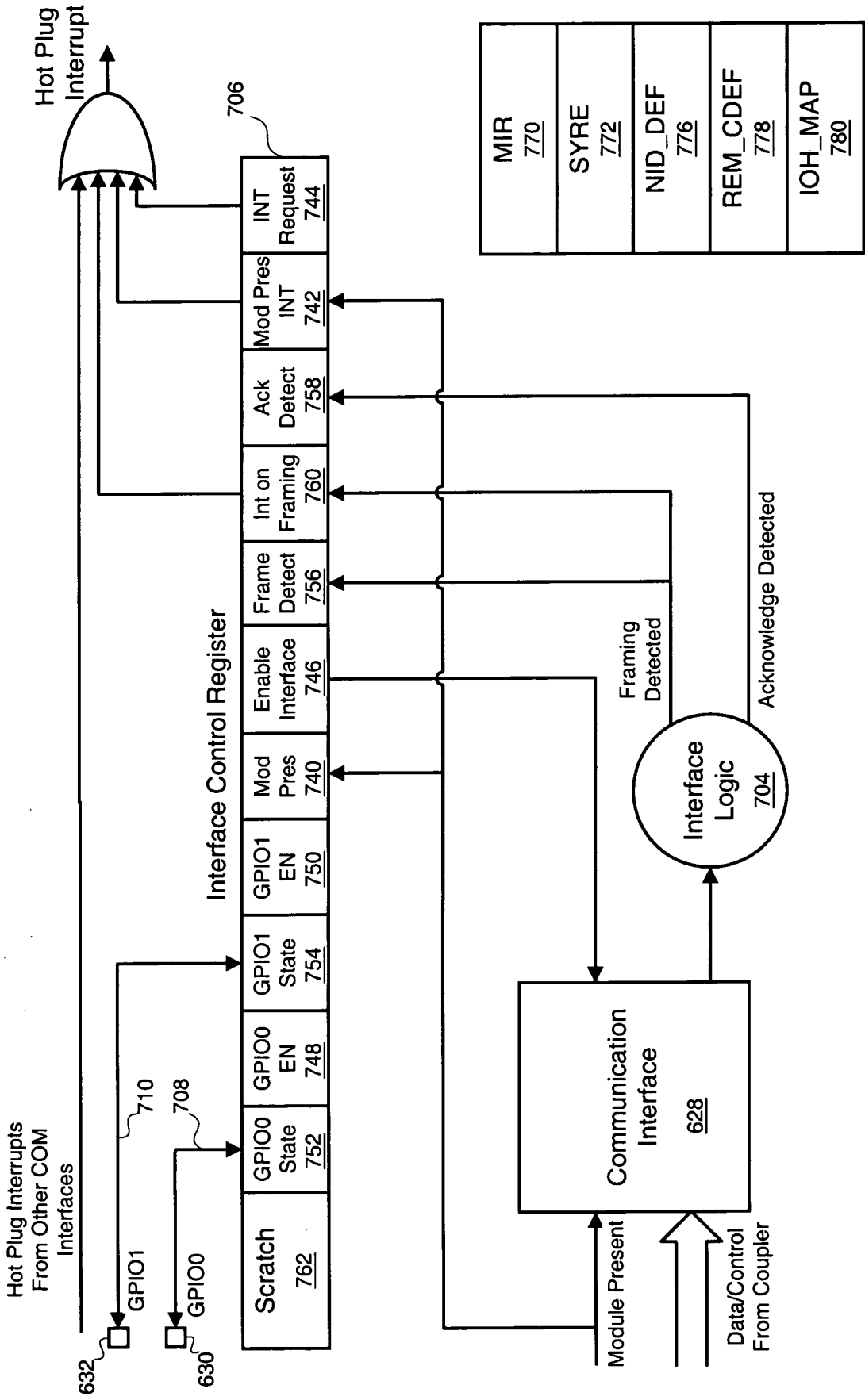


FIG. 7

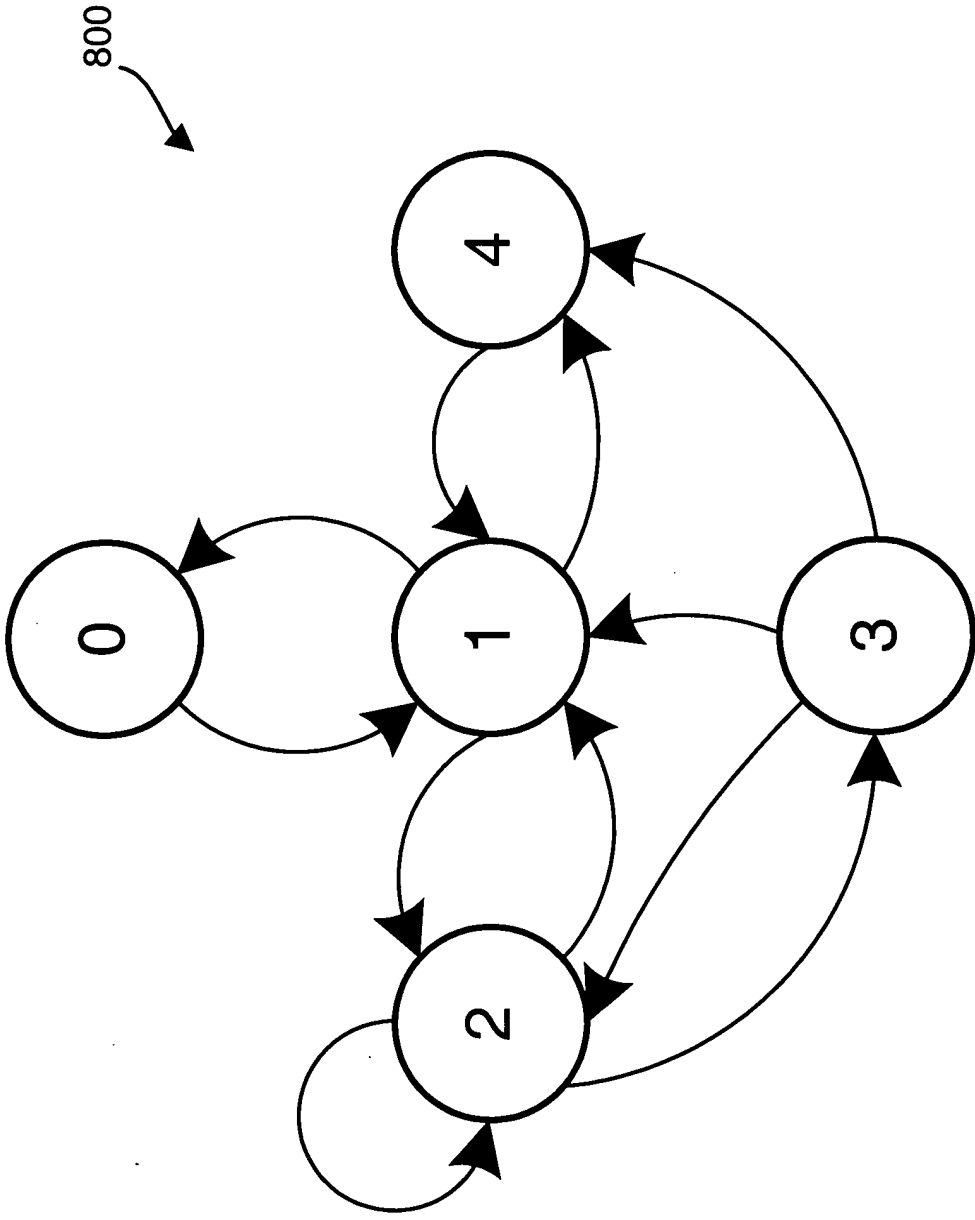


FIG. 8





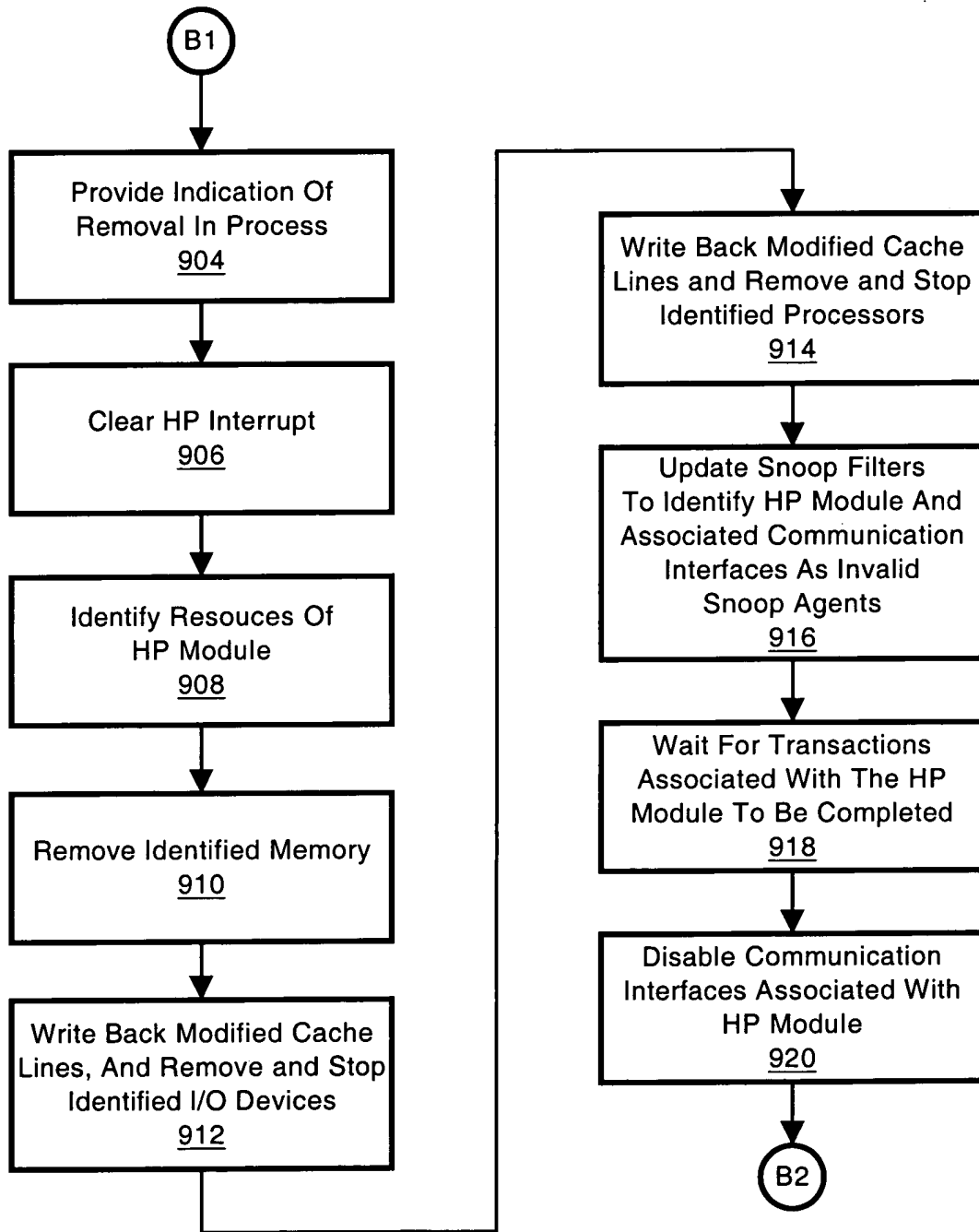


FIG. 9B

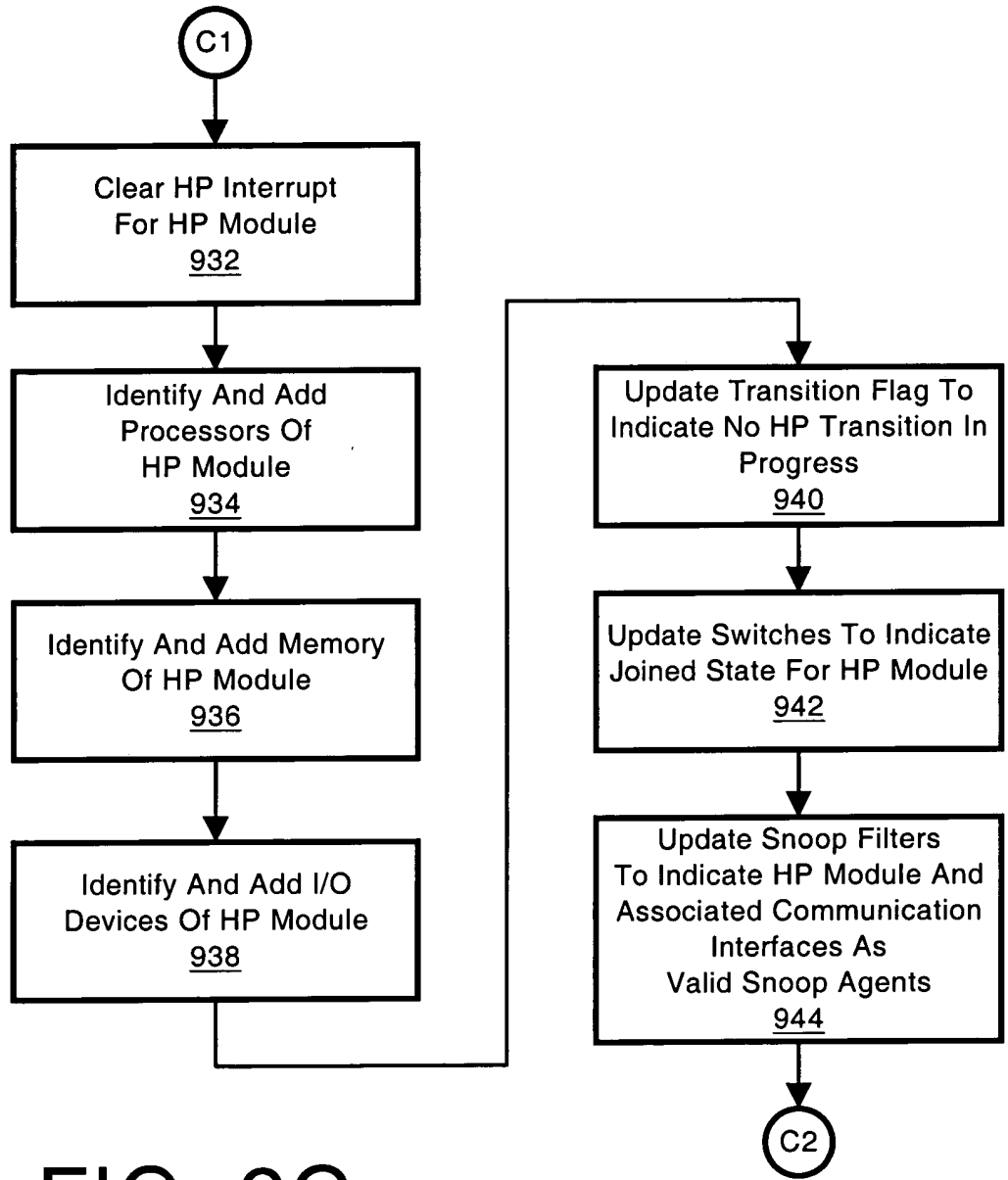


FIG. 9C

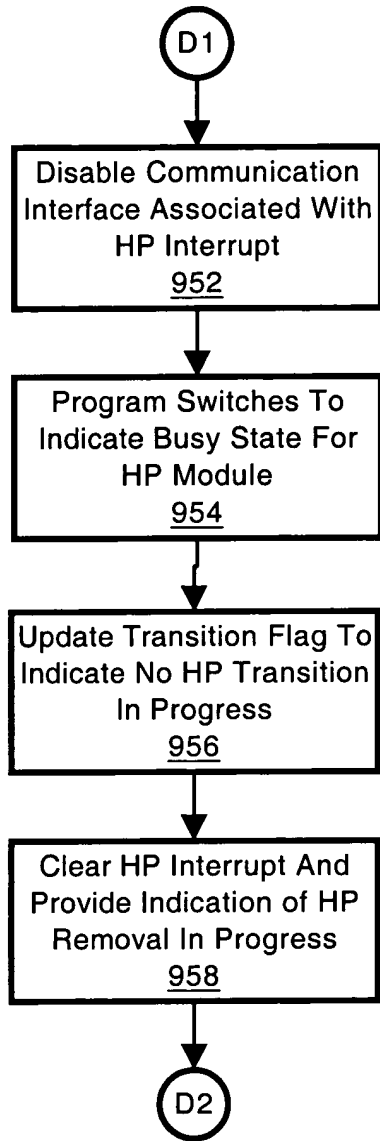


FIG. 9D

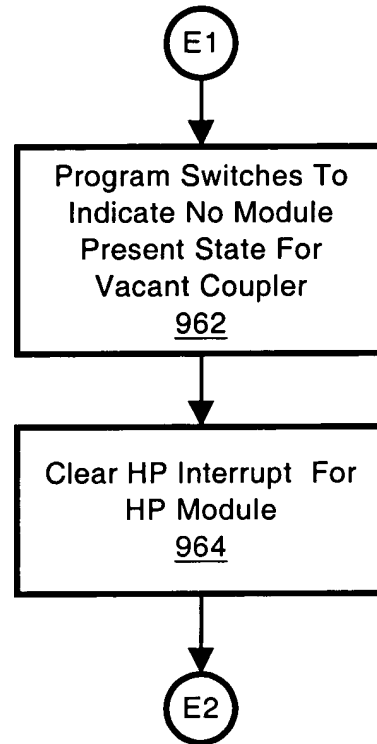


FIG. 9E

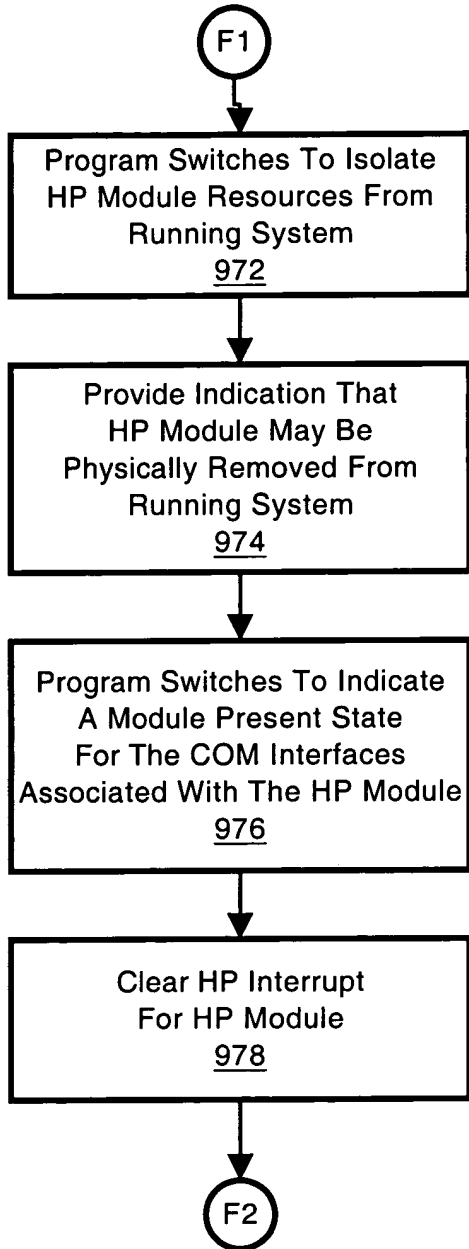


FIG. 9F

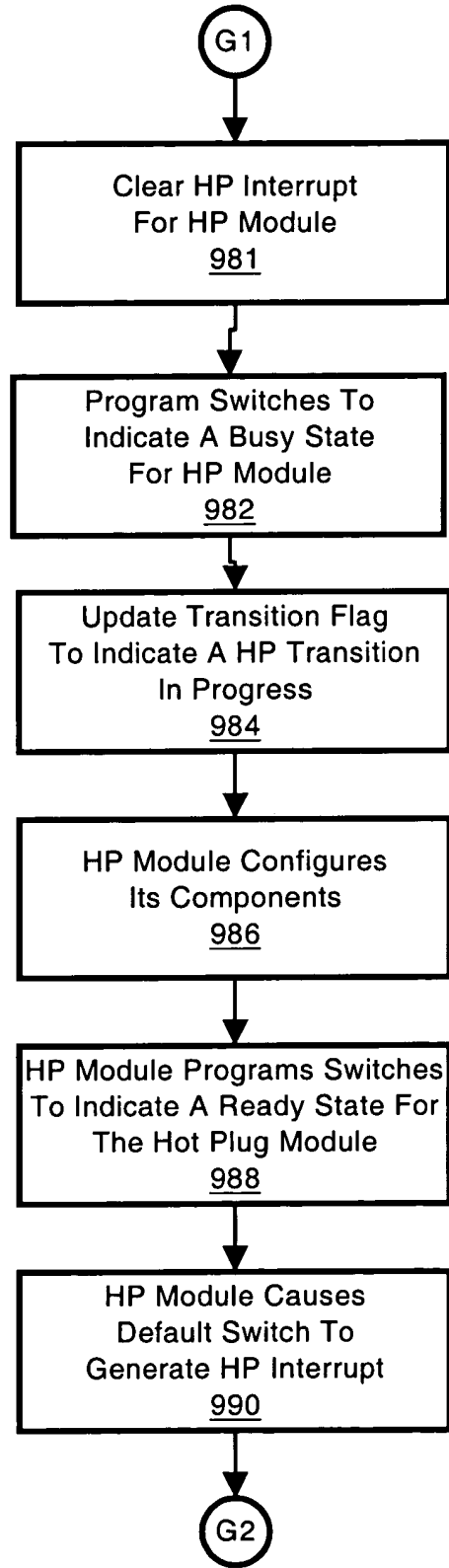


FIG. 9G

FIG. 9H

